

PROCESSOR
252 SHEET 3
DSP AUDIO

RECEIVER
246 SHEET 2

SYNTH-VCO
2922 SHEET 4

POWER-AMP
5552 SHEET 7

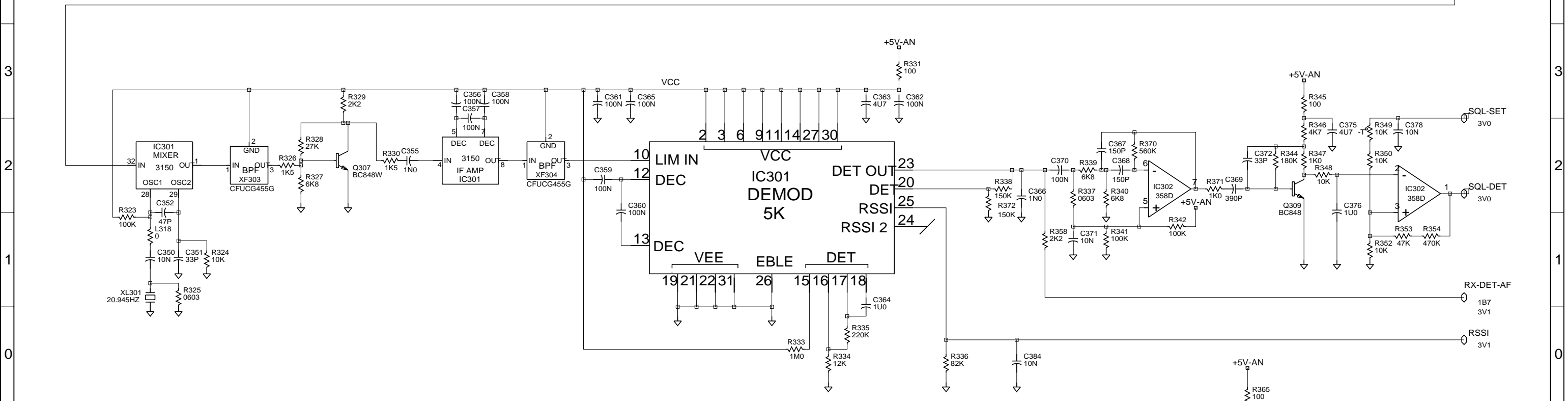
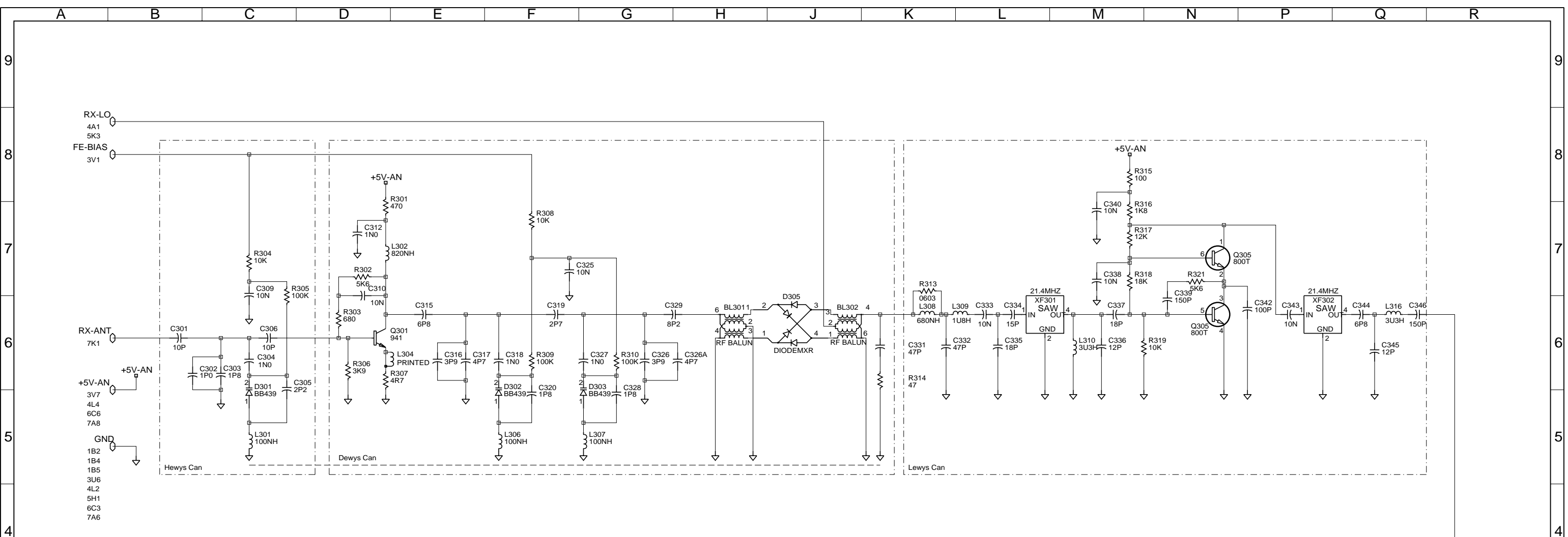
- DONALD PT-DON
- BUGGS XXXX-NX
- DAFFYS XXXX-NX
- MICKEYS XXXX-NX
- TWEETYS XXXX-NX
- GOOFYS XXXX-NX
- JERRY XXXX-NXG-XX
- HEWYS XXXX-NX
- DEWYS XXXX-NX
- LEWYS XXXX-NX
- FRED XXXX-NX
- TOM XXXX-NXG-XX

TAIT ELECTRONICS
ORCA VHF SYSTEM DIAGRAM

IPN: 220-01401-00	ISSUE: A	ID: 2.SC. 1
PROJECT: ORCA	DESIGNER: MAJ	FILE DATE: 140100A
		NO. SHEETS: 7

00	ORIGINAL	MAJ				
REV/ISS	AMENDMENTS	DRAWN	CHKD	D.O.	APVD	DATE

INTER 22 WAY T&B ENTRY
PL1 12 WAY SKT



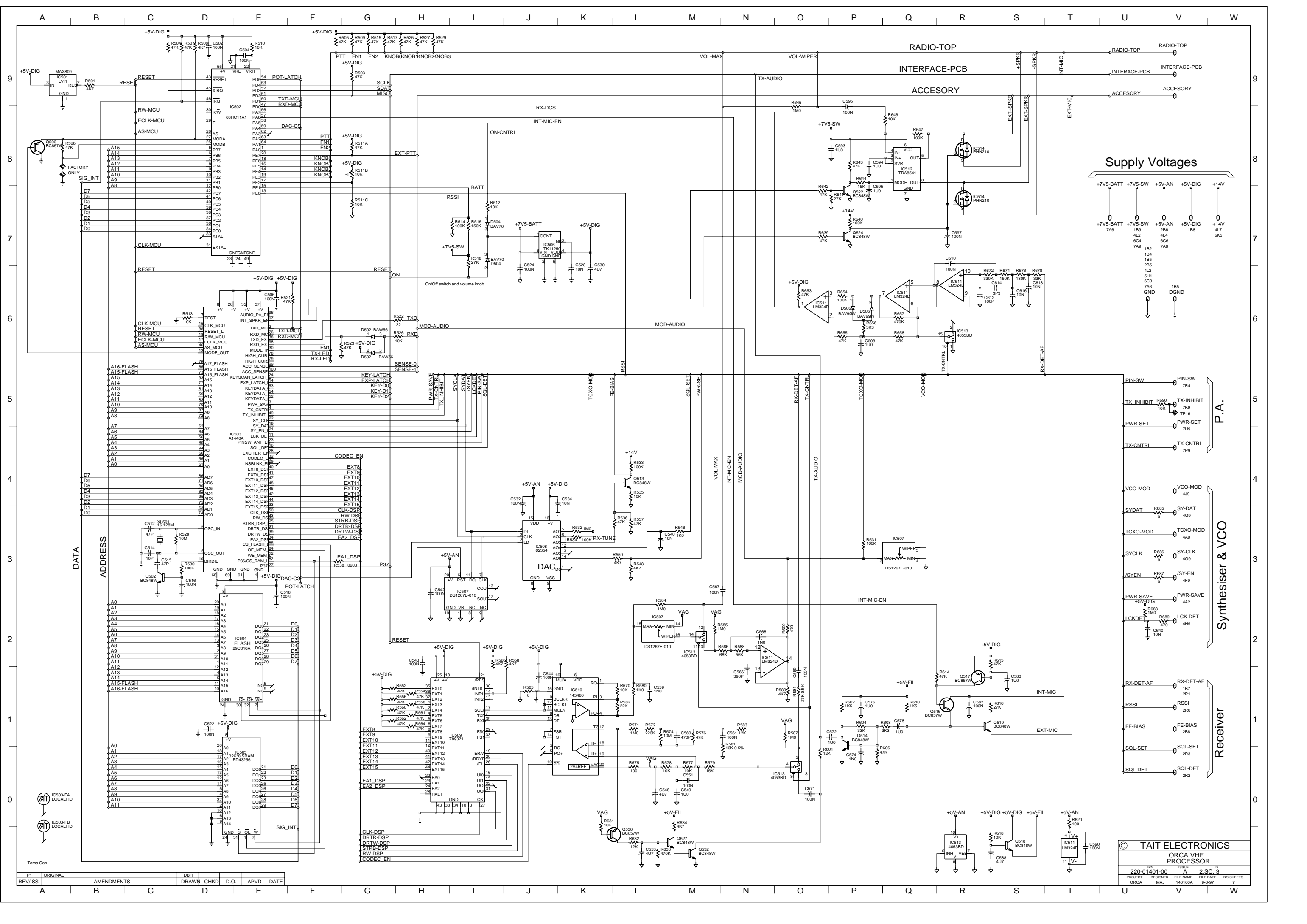
REV/ISS	AMENDMENTS	DRAWN	CHKD	D.O.	APVD	DATE

© TAIT ELECTRONICS

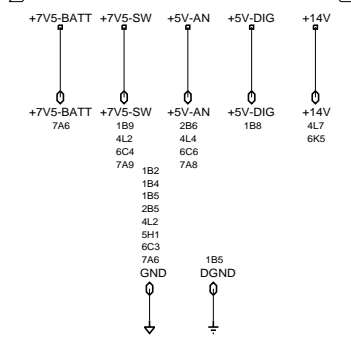
ORCA VHF RECEIVER

IPN: 220-01401-00 ISSUE: A ID: 2.SC.2

PROJECT: ORCA DESIGNER: MAJ FILE NAME: 140100A FILE DATE: 9-6-97 NO. SHEETS: 7



Supply Voltages



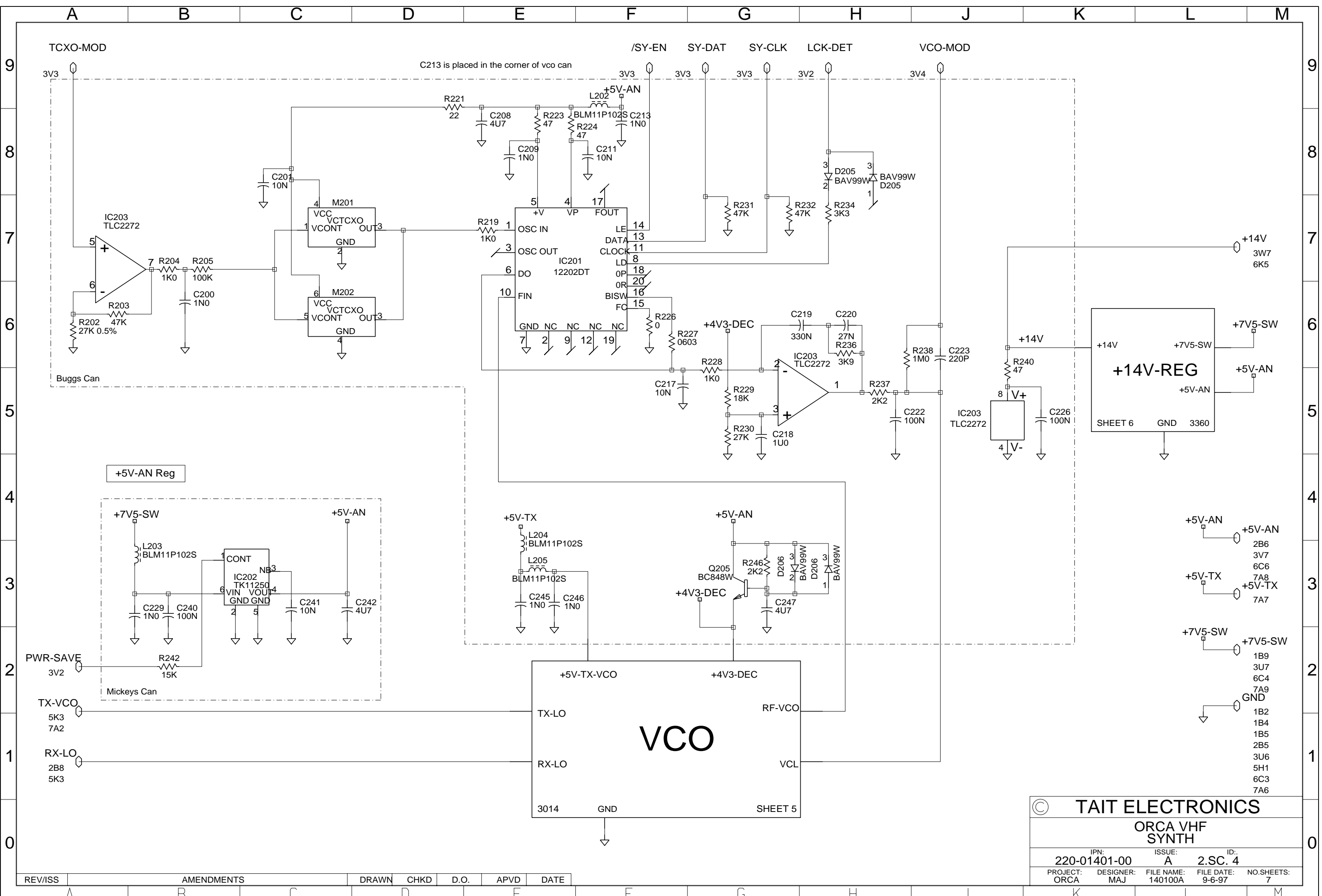
P.A.

Synthesiser & VCO

Receiver

© TAIT ELECTRONICS
ORCA VHF PROCESSOR
 REV: 220-01401-00
 PROJECT: ORCA DESIGNER: MAJ FILE NAME: 140100A FILE DATE: 9-6-97 NO. SHEETS: 7

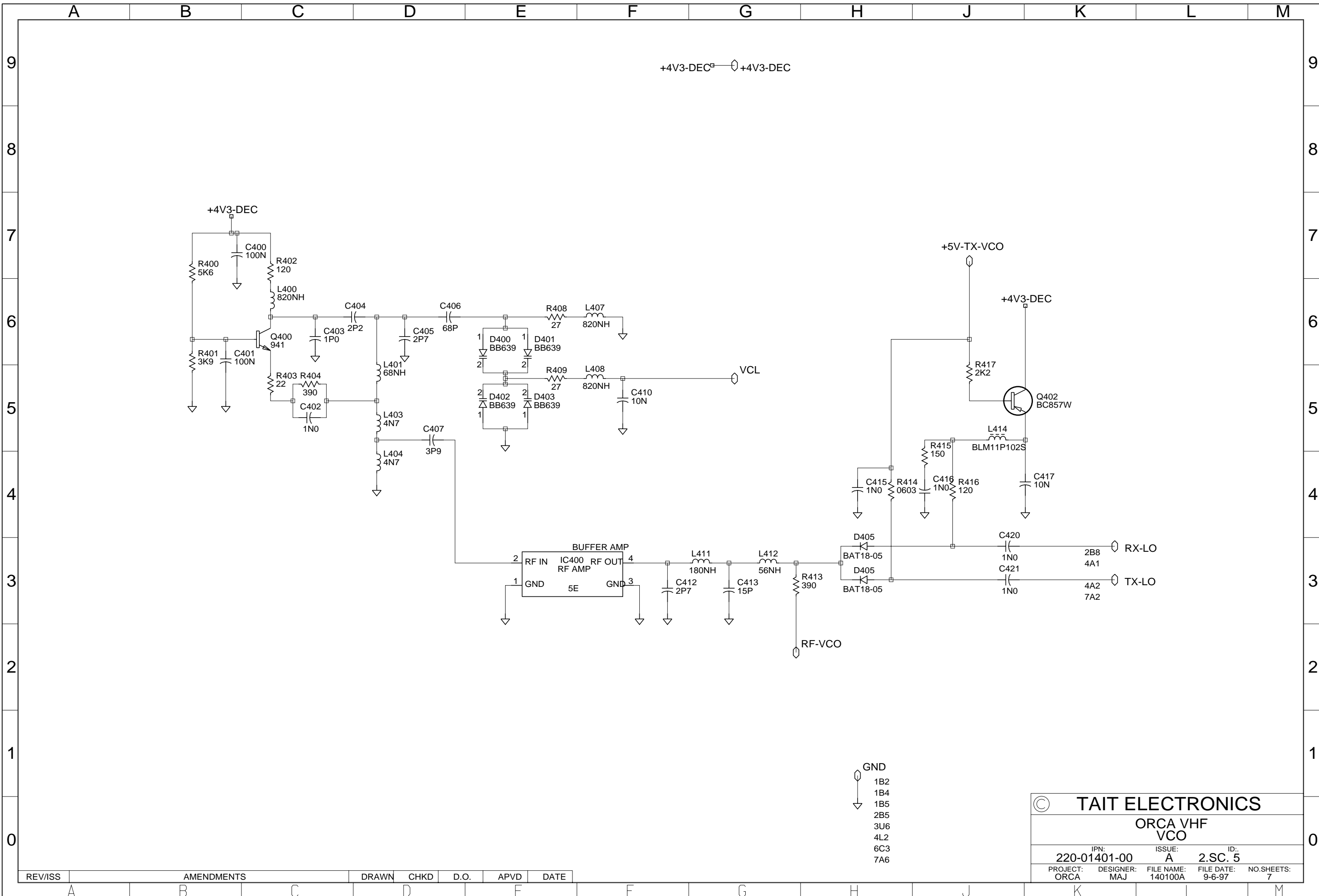
REV/ISS	ORIGINAL	AMENDMENTS	DBH	CHKD	D.O.	APVD	DATE
A							



- +5V-AN 2B6
- +5V-AN 3V7
- +5V-AN 6C6
- +5V-TX 7A8
- +5V-TX 7A7
- +7V5-SW 1B9
- +7V5-SW 3U7
- +7V5-SW 6C4
- +7V5-SW 7A9
- GND 1B2
- GND 1B4
- GND 1B5
- GND 2B5
- GND 3U6
- GND 5H1
- GND 6C3
- GND 7A6

© TAIT ELECTRONICS				
ORCA VHF SYNTH				
IPN:	ISSUE:	ID:		
220-01401-00	A	2.SC. 4		
PROJECT:	DESIGNER:	FILE NAME:	FILE DATE:	NO.SHEETS:
ORCA	MAJ	140100A	9-6-97	7

REV/ISS	AMENDMENTS	DRAWN	CHKD	D.O.	APVD	DATE



REV/ISS	AMENDMENTS	DRAWN	CHKD	D.O.	APVD	DATE

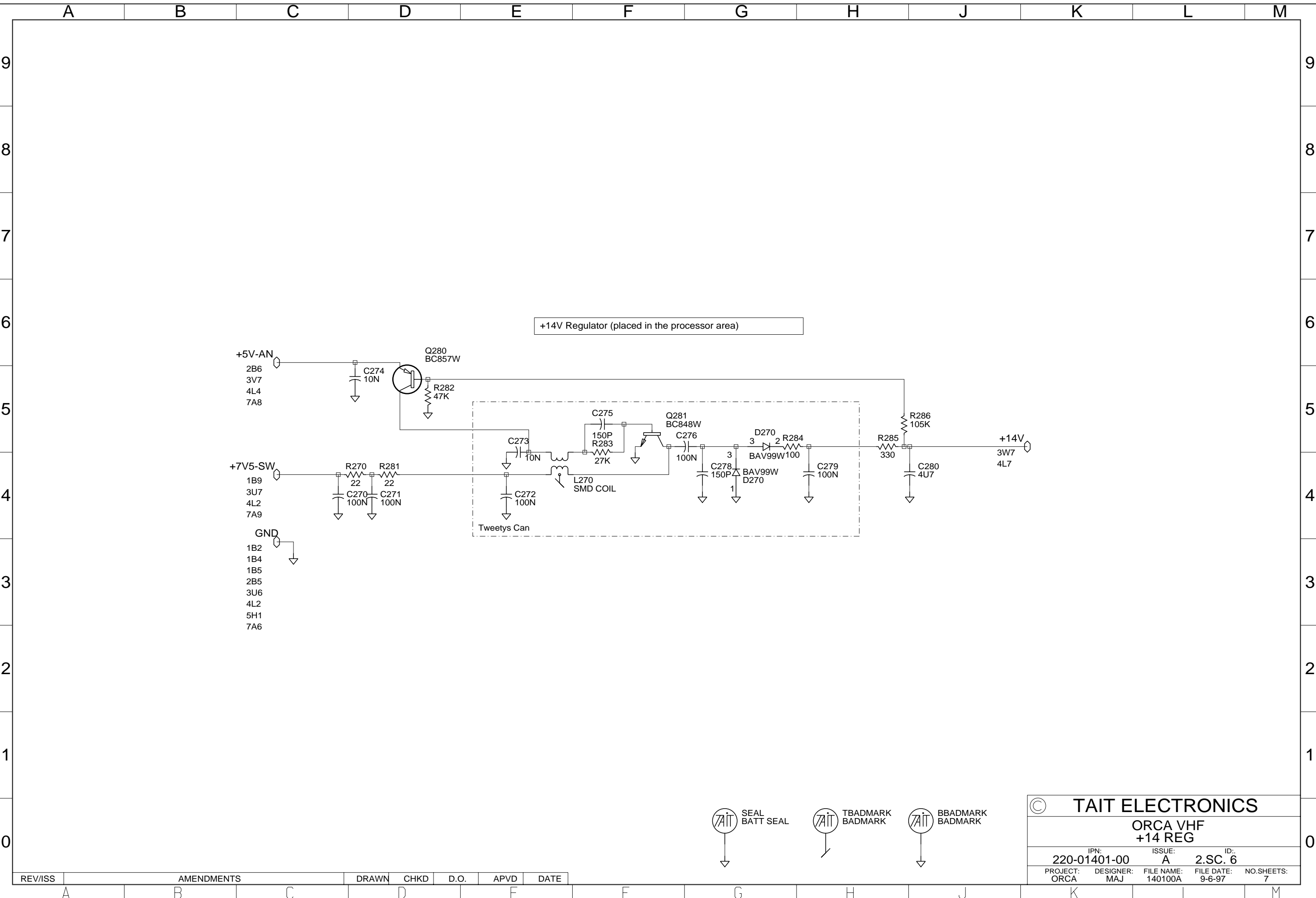
© TAIT ELECTRONICS

ORCA VHF VCO

IPN: 220-01401-00 ISSUE: A ID: 2.SC. 5

PROJECT: ORCA DESIGNER: MAJ FILE NAME: 140100A FILE DATE: 9-6-97 NO. SHEETS: 7

- GND
- 1B2
 - 1B4
 - 1B5
 - 2B5
 - 3U6
 - 4L2
 - 6C3
 - 7A6



- +5V-AN
 - 2B6
 - 3V7
 - 4L4
 - 7A8
-
- +7V5-SW
 - 1B9
 - 3U7
 - 4L2
 - 7A9
-
- GND
 - 1B2
 - 1B4
 - 1B5
 - 2B5
 - 3U6
 - 4L2
 - 5H1
 - 7A6

+14V Regulator (placed in the processor area)

Tweety's Can

- SEAL BATT SEAL
- TBADMARK BADMARK
- BBADMARK BADMARK

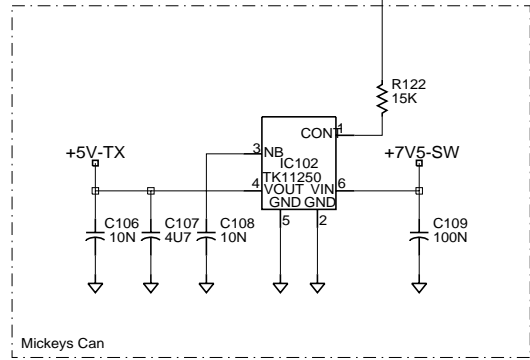
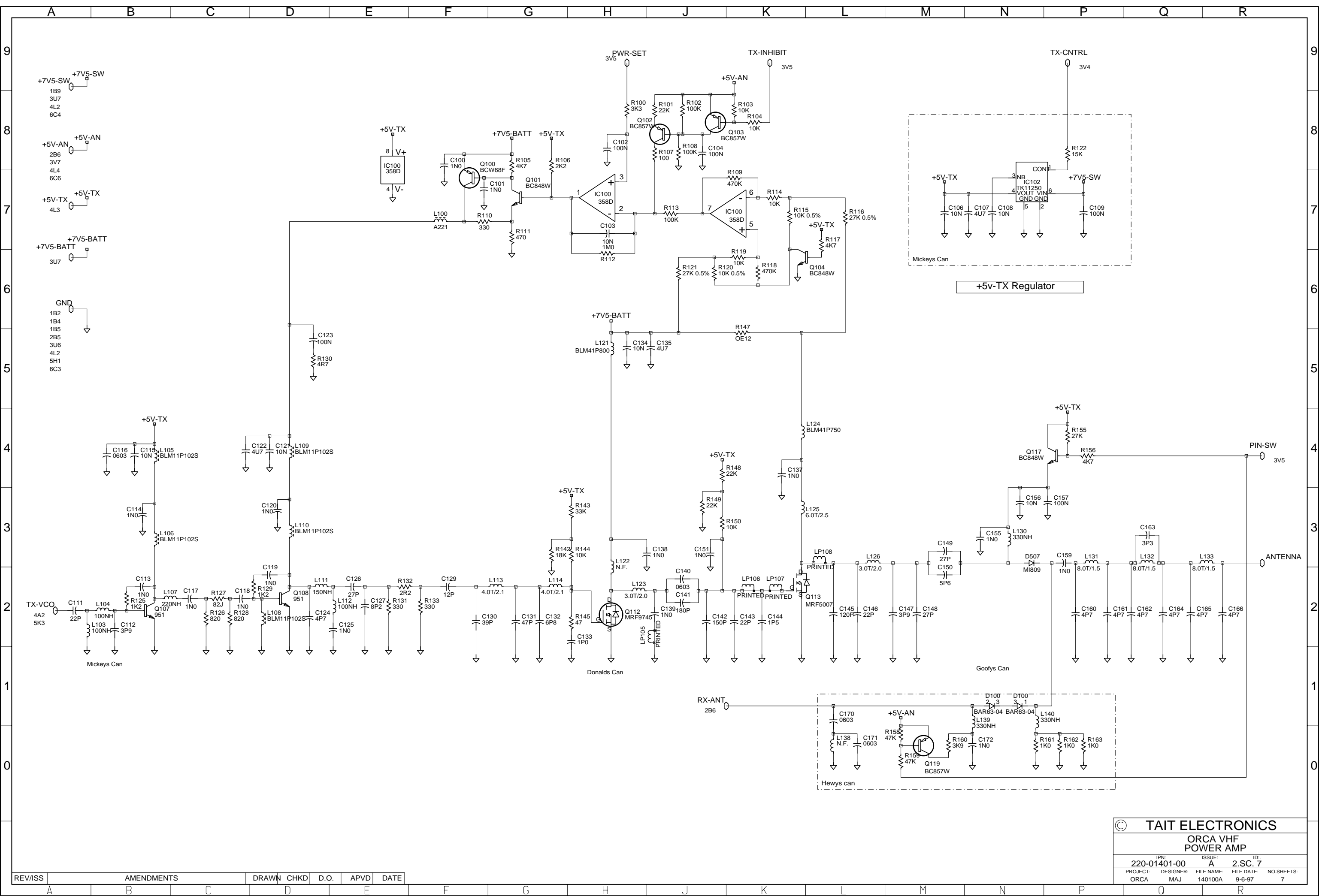
© TAIT ELECTRONICS

ORCA VHF
+14 REG

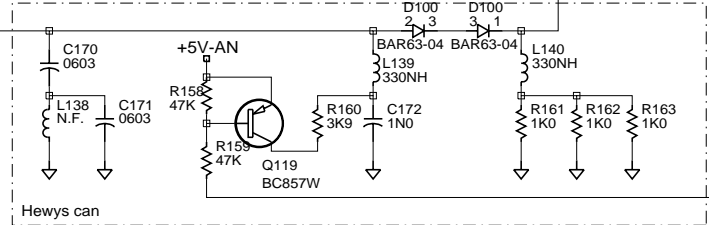
IPN: 220-01401-00 ISSUE: A ID: 2.SC. 6

PROJECT: ORCA DESIGNER: MAJ FILE NAME: 140100A FILE DATE: 9-6-97 NO. SHEETS: 7

REV/ISS	AMENDMENTS	DRAWN	CHKD	D.O.	APVD	DATE



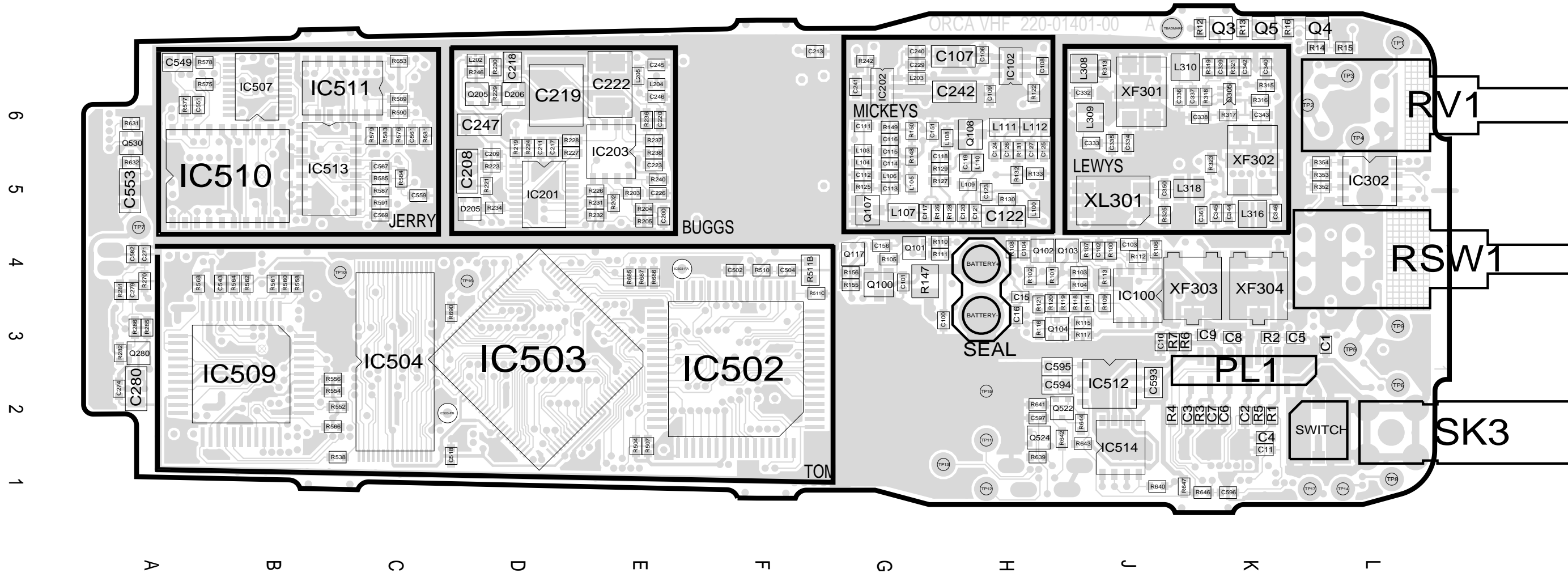
+5V-TX Regulator



Hewys can

TAIT ELECTRONICS			
ORCA VHF POWER AMP			
IPN: 220-01401-00	ISSUE: A	ID: 2.SC.7	
PROJECT: ORCA	DESIGNER: MAJ	FILE NAME: 140100A	FILE DATE: 9-6-97
			NO. SHEETS: 7

REV/ISS	AMENDMENTS	DRAWN	CHKD	D.O.	APVD	DATE
A						



ORCA VHF 220-01401-00 A

TOP COPPER



ORCA VHF 220-01401-00 A

BOTTOM COPPER